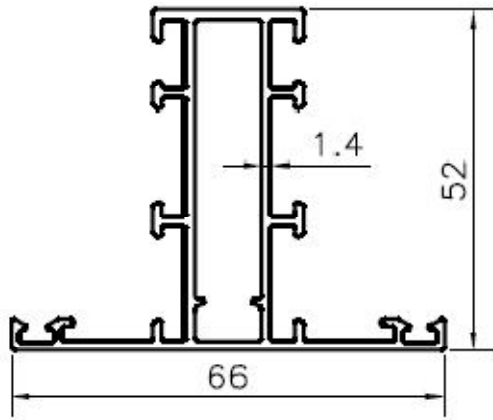


21634

21634

0.956 kg/m

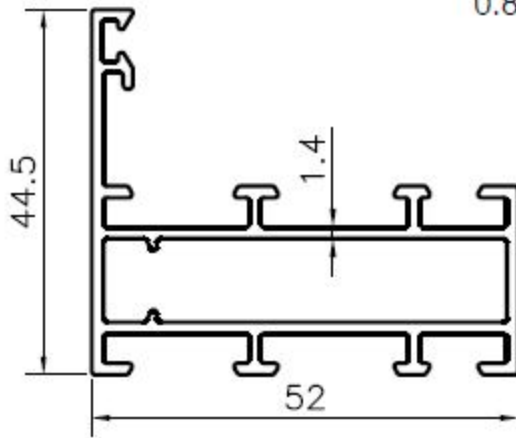


*WINDOW SECTION*

21635

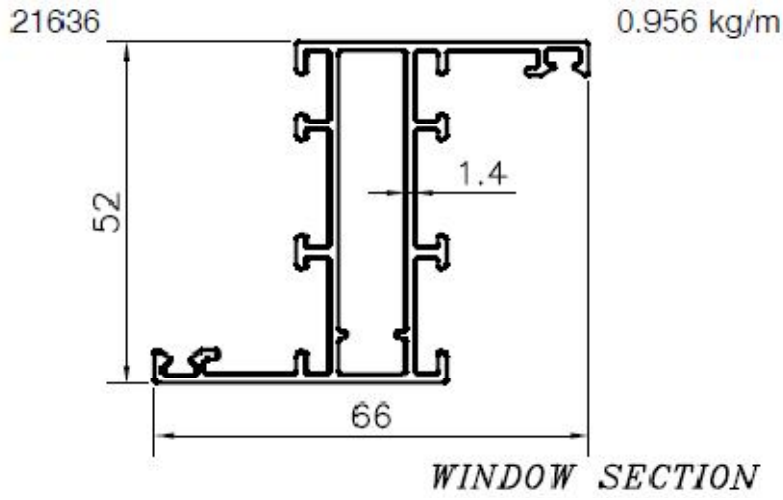
21635

0.842 kg/m



*WINDOW SECTION*

21636



19469

