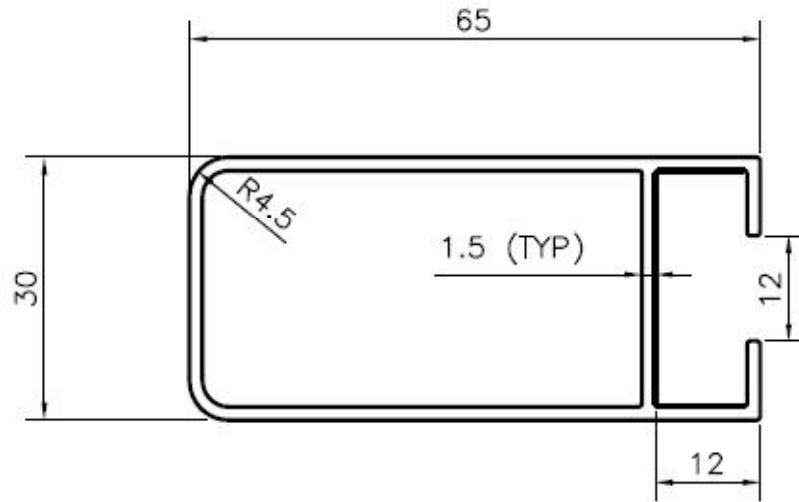
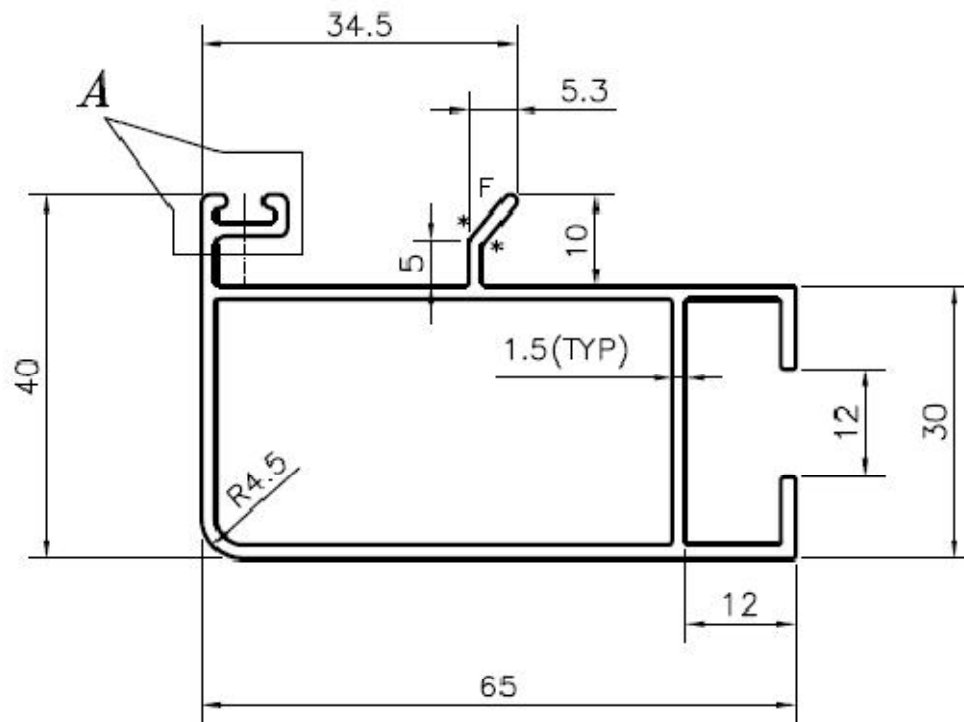

30 * 65 Single Glass

1) 0.793Kg/m



2) 0.938Kg/m



3) 1.010Kg/M

