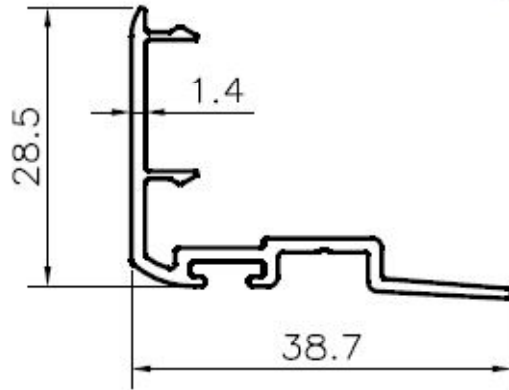


1)

19453

0.303 kg/m

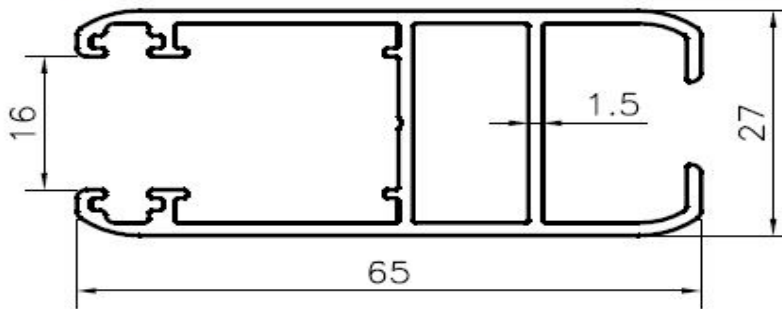


*GLAZING CLIP SECTION*

2)

21490

0.851 kg/m

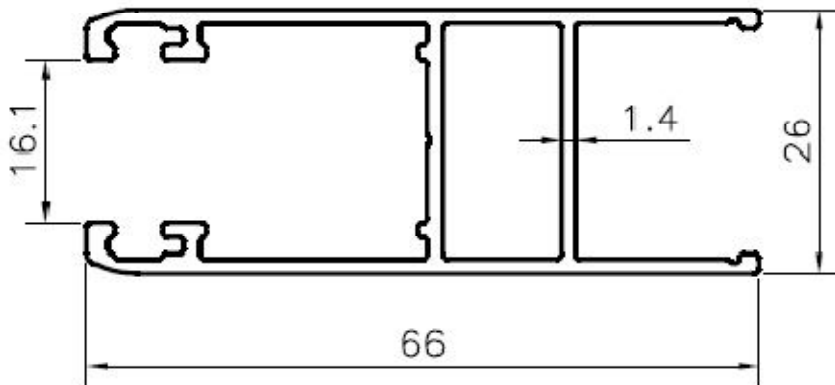


*WINDOW SECTION*

3)

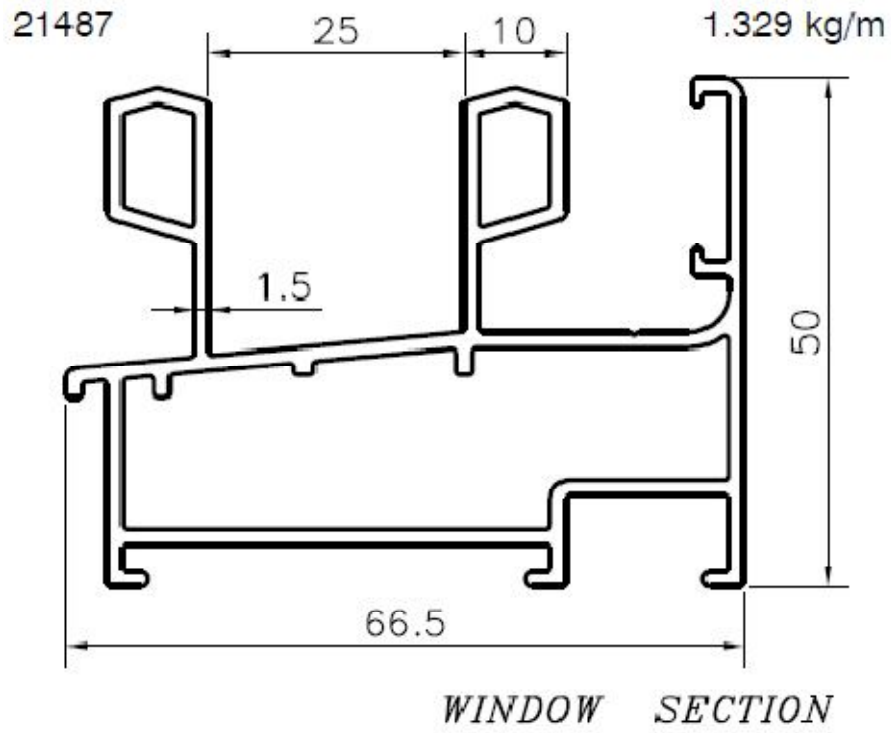
21486

0.774 kg/m

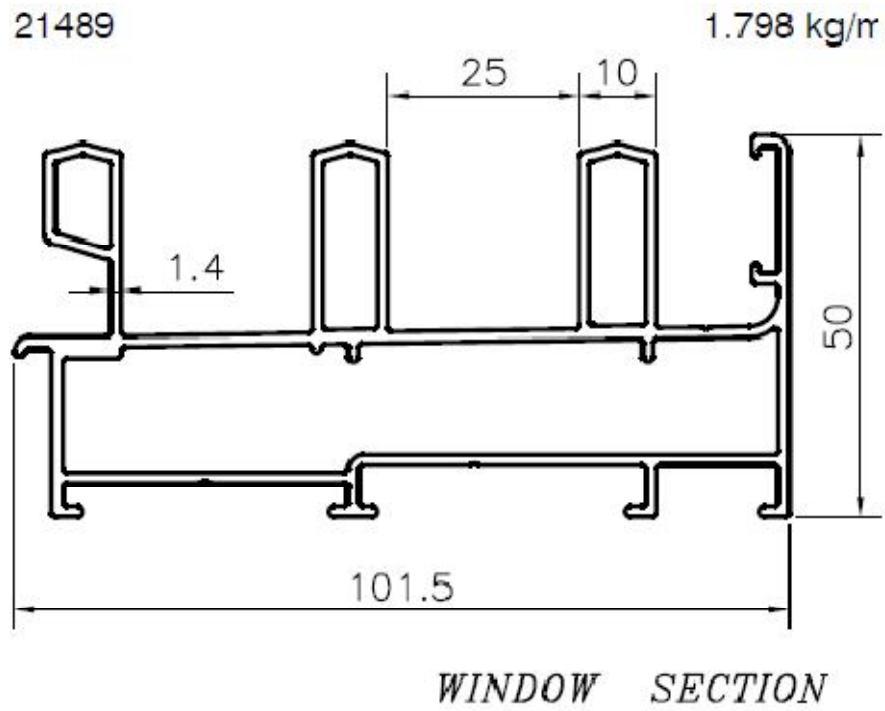


*WINDOW SECTION*

4)



5)



6)

21488

